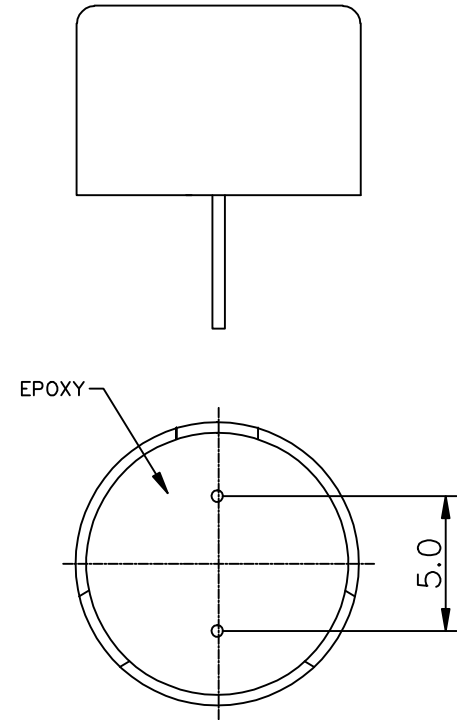
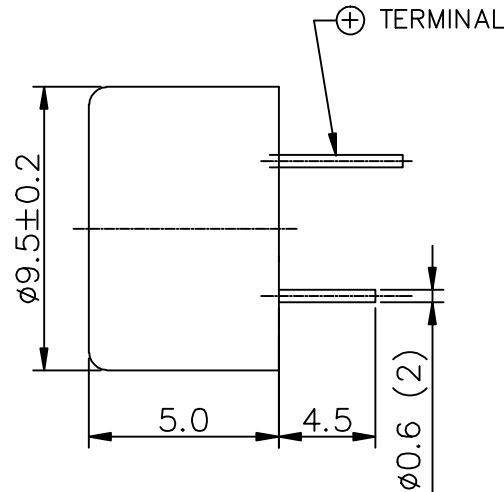
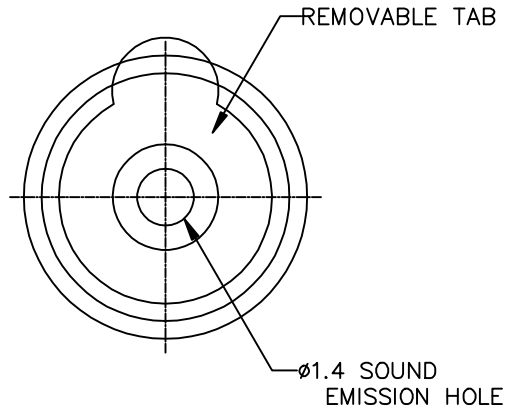


THIS DOCUMENT CONTAINS DATA PROPRIETARY TO PROJECTS UNLIMITED, INC. ANY USE OR REPRODUCTION, IN ANY FORM, WITHOUT PRIOR WRITTEN PERMISSION OF PROJECTS UNLIMITED, INC. IS PROHIBITED.
 ©2003, Projects Unlimited Inc.

SPECIFICATIONS

PARAMETERS	VALUES	UNITS
RATED VOLTAGE	3	Vdc
OPERATING VOLTAGE RANGE	2 ~ 5	Vdc
RATED CURRENT (MAX)	30	mA
MINIMUM SPL @ 10 cm	80	dBa
RESONANT FREQUENCY	2,700±200	Hz
TONE OR PULSE RATE	CONTINUOUS	0 PULSE PER SECOND
OPERATING TEMPERATURE	-20 ~ +80	°C
STORAGE TEMPERATURE	-30 ~ +85	°C
HOUSING MATERIAL	NORYL	-
TERMINAL MATERIAL	Sn PLATED RED COPPER	-
WEIGHT	1	grams

REVISIONS			
LTR	DESCRIPTION	DATE	APPROVED
-	RELEASED FROM ENGINEERING	4/29/05	
A	ADDED POSITIVE TERMINAL LOCATION	11/3/06	B.R.
B	REMOVED PRODUCT LABELING	8/7/08	B.R.




NOTES:

1. ALL DIMENSIONS ARE IN MILLIMETERS.
2. SPECIFICATION SUBJECT TO CHANGE OR WITHDRAWAL WITHOUT NOTICE.
3. THIS PART IS RoHS 2002/95/EC COMPLIANT.

FILE NAME
AI-1027-TWT-3V-R.DWG

UNLESS OTHERWISE SPECIFIED:
DIMENSIONS ARE IN MILLIMETERS, TOLERANCES ARE ±0.5 AND ANGLES ARE ±3°.

APPROVALS	DATE
DRAWN R.A.C.	4/05
CHECKED B.R.	4/05
APPROVED R.W.	4/05

 projects® unlimited Dayton, Ohio	
INDICATOR	
SIZE A	DRAWING NO. AI-1027-TWT-3V-R
DO NOT SCALE DRAWING	SCALE: N.T.S.
SHEET 1 OF 1	